

# 08025SA

## DC Axial Fan Ball Bearing

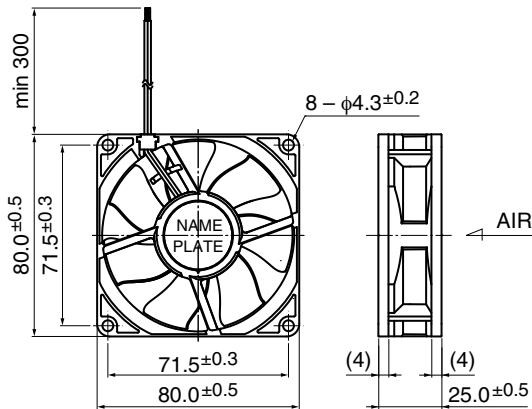
80<sup>□</sup>X25<sup>L</sup>



### General Specifications

Motor Protection	Auto Restart / Polarity Protection
Insulation Resistance	10MΩ or over with a DC500V Megger
Dielectric Withstand Voltage	: AC700V 1s
Allowable Ambient Temperature Range	: L, M, N Class : -10°C ~ +70°C (Operating) R Class : -40°C ~ +70°C (Storage) non-condensing environment

### Outline

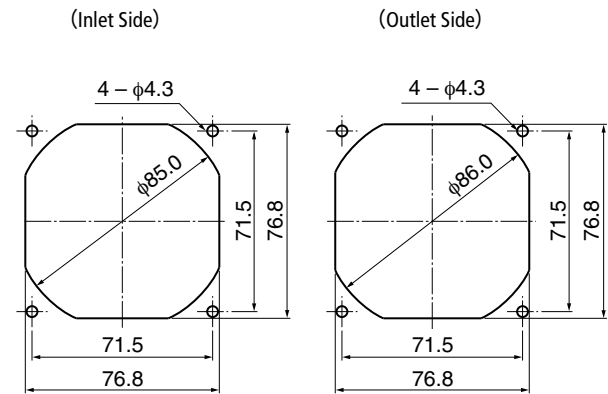


### Expected Life

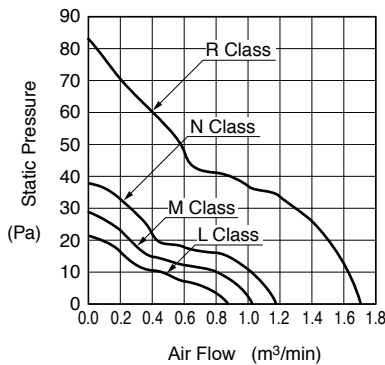
※ Failure Rate: 10% (L10 Life)

60°C 40,000 (Hours)

### Panel Out-cuts



### Characteristic Curves



### Material

Casing	: Plastic (Black) UL94V-0
Impeller	: Plastic (Black) UL94V-0
Bearing	: Ball Bearing
Lead Wire	: UL3385 AWG26 + : Red, - : Black

### Specifications

Model**	Product Number	Rating Voltage (V)	Operating Voltage (V)	Current (A)*1	Input Power (W)*1	Speed (min-1)*1	Max Air Flow (m³/min)*1	(CFM)*1	Max Static Pressure (Pa)	(In H2O)*1	Noise (dB)*1	Mass (g)
08025SA-12K-AA-	D0	12	6.0 ~ 13.8	0.05	0.60	2000	0.74	26.1	16.5	0.07	19.0	80
08025SA-12L-AA-	D0	12	6.0 ~ 13.8	0.06	0.72	2300	0.86	30.4	21.5	0.09	22.0	
08025SA-12M-AA-	D0	12	6.0 ~ 13.8	0.09	1.08	2700	1.02	36.0	29.0	0.12	26.0	
08025SA-12N-AA-	D0	12	6.0 ~ 13.8	0.14	1.68	3100	1.17	41.3	37.5	0.15	30.0	
08025SA-12P-AA-	D0	12	6.0 ~ 13.8	0.24	2.88	3500	1.33	47.0	50.0	0.20	34.0	
08025SA-12Q-AA-	D0	12	6.0 ~ 13.8	0.26	3.12	4100	1.55	54.7	68.0	0.27	39.5	
08025SA-12R-AA-	D0	12	7.0 ~ 13.8	0.32	3.84	4500	1.70	60.0	82.0	0.33	42.0	
08025SA-24K-AA-	D0	24	12.0 ~ 27.6	0.03	0.72	2000	0.74	26.1	16.5	0.07	19.0	
08025SA-24L-AA-	D0	24	12.0 ~ 27.6	0.04	0.96	2300	0.86	30.4	21.5	0.09	22.0	
08025SA-24M-AA-	D0	24	12.0 ~ 27.6	0.06	1.44	2700	1.02	36.0	29.0	0.12	26.0	
08025SA-24N-AA-	D0	24	12.0 ~ 27.6	0.08	1.92	3100	1.17	41.3	37.5	0.15	30.0	
08025SA-24P-AA-	D0	24	12.0 ~ 27.6	0.11	2.64	3500	1.33	47.0	50.0	0.20	34.0	
08025SA-24Q-AA-	D0	24	12.0 ~ 27.6	0.12	2.88	4100	1.55	54.7	68.0	0.27	39.5	
08025SA-24R-AA-	D0	24	12.0 ~ 26.4	0.17	4.08	4500	1.70	60.0	82.0	0.33	42.0	